

HS001 SERIES

TELEPHONE - HOOK SWITCH



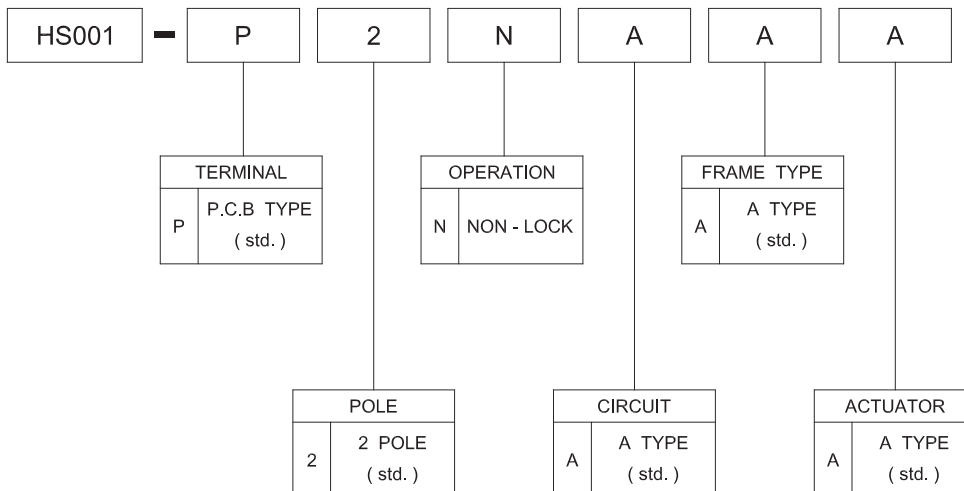
Feature -
stable
long life cycles

Application -
various telephone
and fax machine

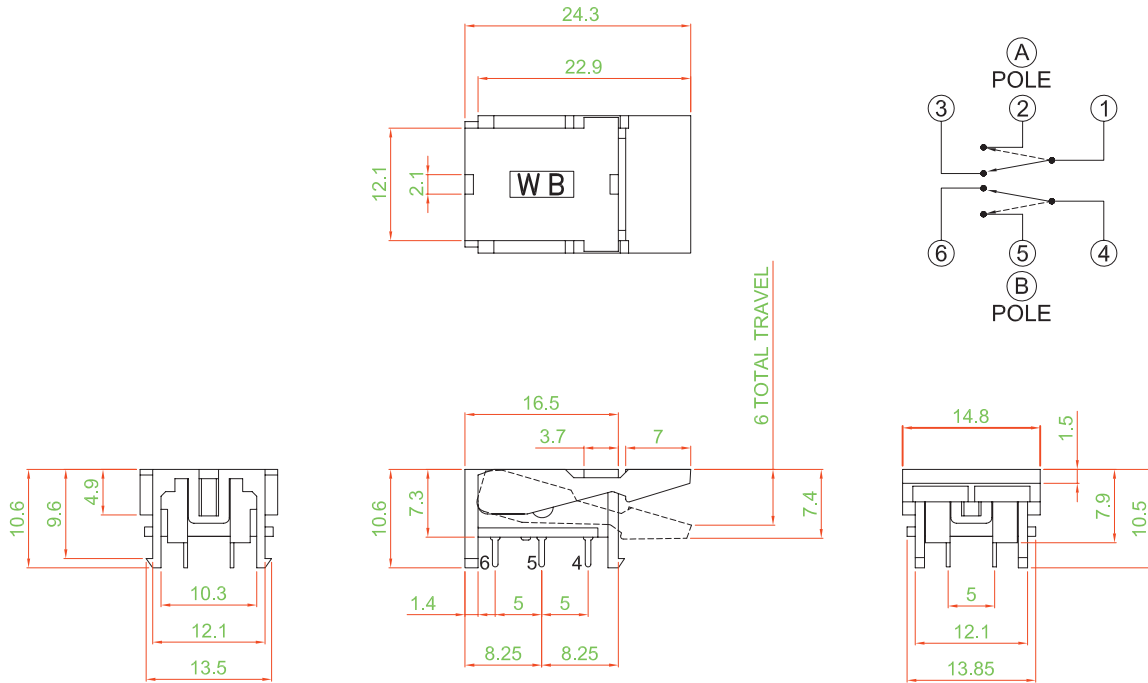
► SPECIFICATIONS

SWITCH SPECIFICATIONS	
POLE - POSITION	2P2T , Momentary Type
CONTACT RATING	36 V DC , 0.1 A
CONTACT RESISTANCE	50 mΩ MAX. 1.5 V DC ; 100 mA by Method of Voltage DROP
INSULATION RESISTANCE	100 MΩ MIN. 500 V DC for 1 minute
DIELECTRIC STRENGTH	Breakdown is not Allowable ; 500 V AC for 1 Minute
OPERATING FORCE	100 gf MAX.
OPERATING LIFE	300,000 cycles
OPERATING TEMPERATURE RANGE	-20°C ~ 70°C

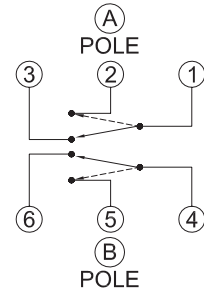
► HOW TO ORDER



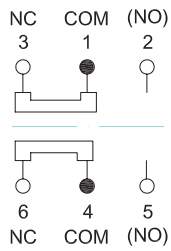
DIMENSION



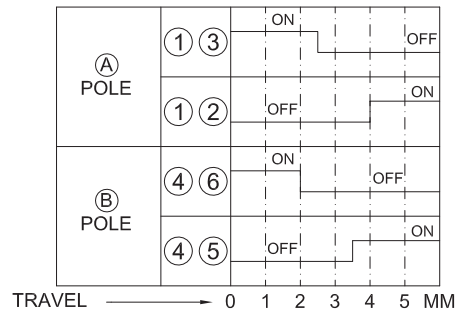
HS001 - P2NAAA



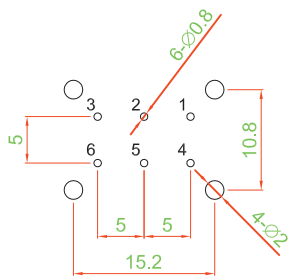
CIRCUIT DIAGRAM



SWITCH SEQUENCE



P.C.B. LAYOUT



MATERIAL

- FRAME : PA
- ACTUATOR : PA
- TERMINAL : SILVER PLATING

UNIT WEIGHT

- HS001 : 2.05 ± 0.01 g / pc